

Data Sheet

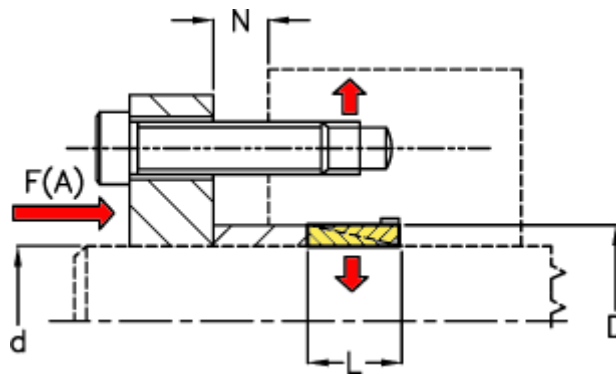


Article number: 433000013

Description: Rota-fix shaft-hub connection C 13x16

Note: Not self centering. Small radial dimensions

Measures



d mm = 13

D mm = 16

$F(A)$ kN = 16

Fit tolerance = Aksel \varnothing ? 38 h6, Aksel \varnothing > 38 h8, Nav \varnothing ? 38 H7, Nav > \varnothing 38 H8

F kN torque = 2.1

L = 4.5

$N1$ = 3

$N2$ = 3

$N3$

$N4$

P N/mm² surface press

Surface roughness

T N m torque